

# Blade Fuses

## MINI® Blade Fuses Rated 58V

MINI® style fuse for use in 42V Systems. Same Time-Current characteristic as the 32V MINI® fuse. Fits into standard MINI® fuse sockets. Has a rejection feature to prevent fuses with lower voltage rating from being wrongfully inserted into the circuit. Current rating 2A - 30A @58 VDC max.

### Specifications

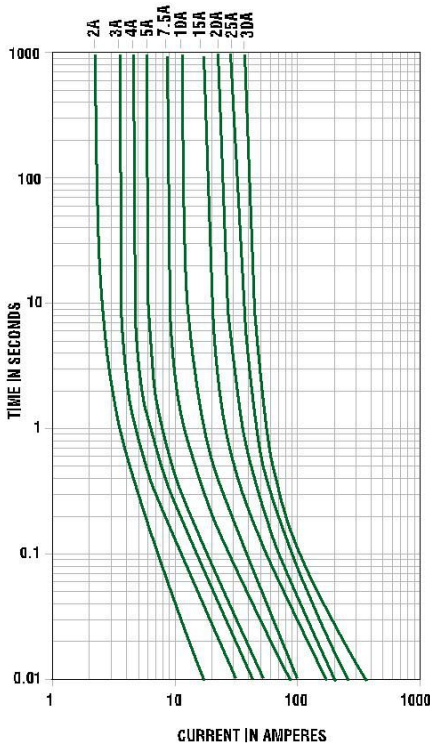
Interrupting Rating: 1000A @ 58 VDC  
 Voltage Rating: 58 VDC  
 \*Component Level Temperature Range: -40°C to +125°C  
 \*\*System Level Temperature Range: -40°C to +105°C  
 105°C is a typical system level temperature requirement.

Terminals: Ag plated zinc alloy  
 Housing Materials: PA66  
 Complies with: SAE J2077, SAE 2576  
 ISO 8820  
 UL 248 Special Purpose Fuses



MINI® Blade Fuses

### Time-Current Characteristic Curves



**\*Component Level Temperature** = the maximum ambient temperature that a single fuse will survive. This does not factor-in the heat from a populated fuse box, but does include the heat from the current load with the proper rerating. **\*\*System Level Temperature** represents the ambient temperature of the fuse box at a location within the vehicle. The temperature within a populated fuse box (in a given location) will be higher. The limiting factor is the plating. Sn-plating's temperature limit is = 130°C, and Ag-plating allows up to 150°C at the terminal interface.

### Ordering Information

| Part Number | Package Size |
|-------------|--------------|
| 0997xxx.WXN | 3000         |

### Time-Current Characteristics

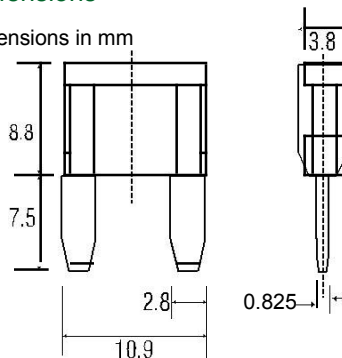
| % of Rating | Opening Time Min / Max (s) |
|-------------|----------------------------|
| 110         | 360,000 s / -              |
| 135         | 0.75 s / 600 s             |
| 200         | 0.15 s / 5 s               |
| 350         | 0.080 s / 0.500 s          |
| 600         | 0.030 s / 0.100 s          |

### Ratings

| Part Number | Current Rating (A) | Housing Material Color | Typ. Voltage Drop (mV) | Cold Resistance (mΩ) | I <sub>t</sub> (A <sup>2</sup> s) |
|-------------|--------------------|------------------------|------------------------|----------------------|-----------------------------------|
| 0997002_    | 2                  | Grey                   | 171                    | 55.60                | 2.8                               |
| 0997003_    | 3                  | Purple                 | 153                    | 33.75                | 9.4                               |
| 0997004_    | 4                  | Pink                   | 121                    | 23.48                | 17                                |
| 0997005_    | 5                  | Brown                  | 129                    | 17.75                | 25                                |
| 099707.5_   | 7.5                | Dark Red               | 135                    | 10.85                | 68                                |
| 0997010_    | 10                 | Red                    | 108                    | 7.42                 | 93                                |
| 0997015_    | 15                 | Blue                   | 98                     | 4.58                 | 270                               |
| 0997020_    | 20                 | Yellow                 | 96                     | 3.21                 | 380                               |
| 0997025_    | 25                 | Orange                 | 86                     | 2.36                 | 625                               |
| 0997030_    | 30                 | Dark Green             | 87                     | 1.85                 | 1130                              |

### Dimensions

Dimensions in mm



### Temperature Rerating Curve

